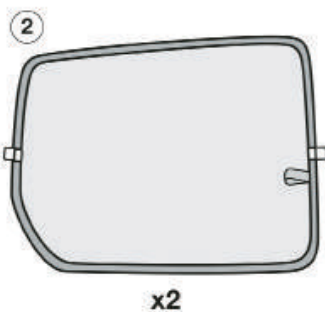
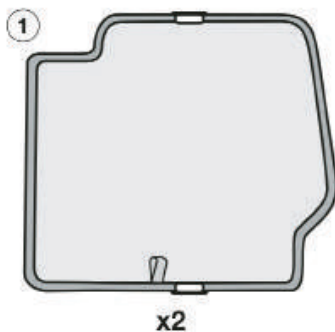


Installation Manual

SUZUKI GRAND VITARA 3DR
SUZ-GV-3-A



COMPONENTS INCLUDED



CL-M01 x 4



CL-P02 x 4

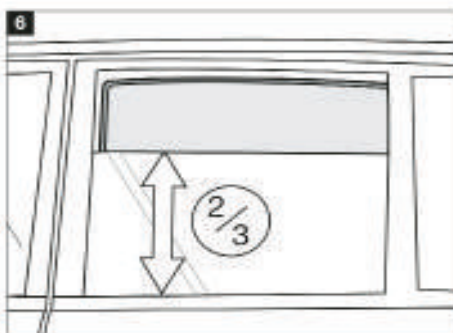
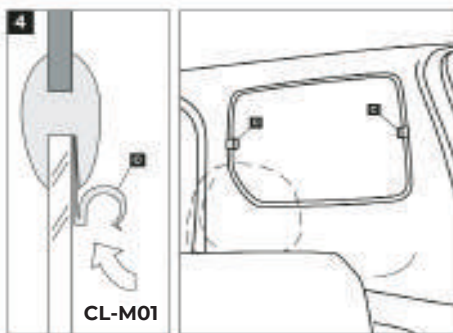
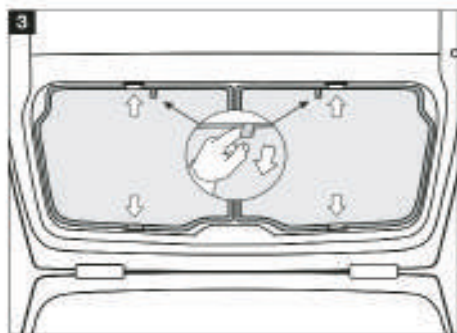
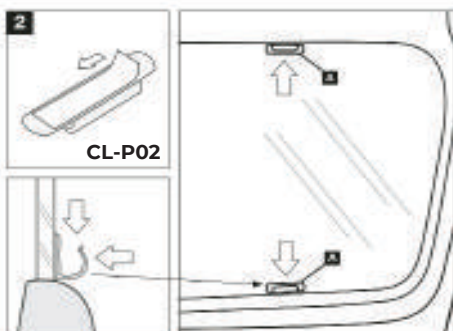
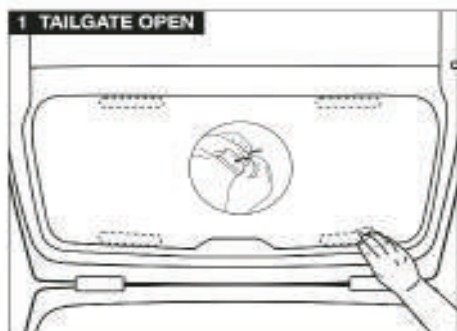


CL-W01 x 1



Installation

SUZUKI GRAND VITARA 3DR
SUZ-GV-3-A



WARNING:

Read these fitting instructions carefully before you start the installation. Rear passenger windows must not be lowered more than 1/3 whilst the blinds are fitted and the vehicle is in motion. On installation care must be taken not to scratch any paintwork with clips.