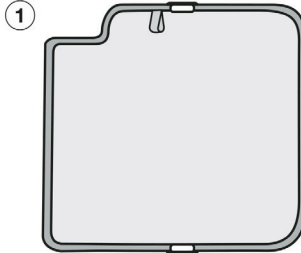


# Installation Manual

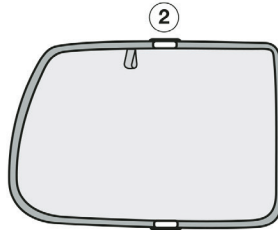
SUZUKI IGNIS 3DR  
SUZ-IGNI-3-A



## COMPONENTS INCLUDED



x2



x2



**CL-P02 x 8**



**CL-W01 x 1**



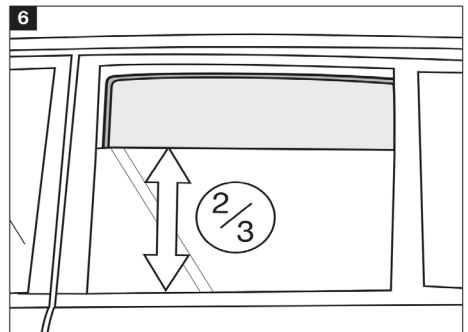
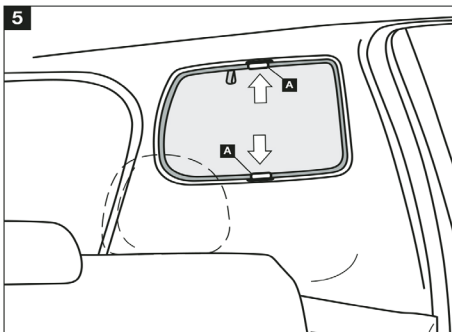
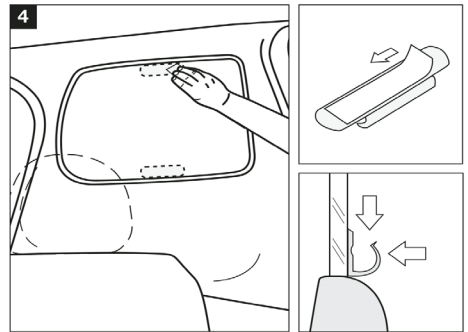
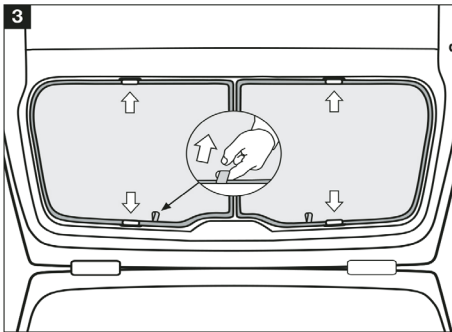
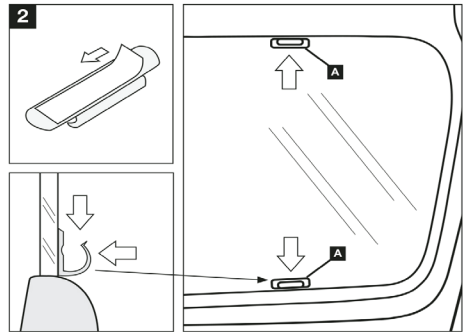
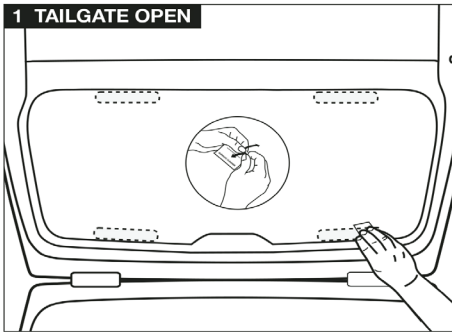
**CL-A01 x 1**



# Installation

SUZUKI IGNIS 3DR

SUZ-IGNI-3-A



## WARNING:

Read these fitting instructions carefully before you start the installation. Rear passenger windows must not be lowered more than 1/3 whilst the blinds are fitted and the vehicle is in motion. On installation care must be taken not to scratch any paintwork with clips.